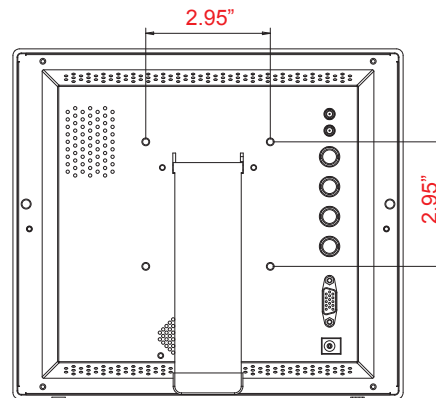
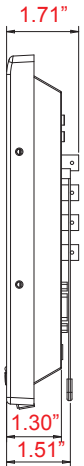
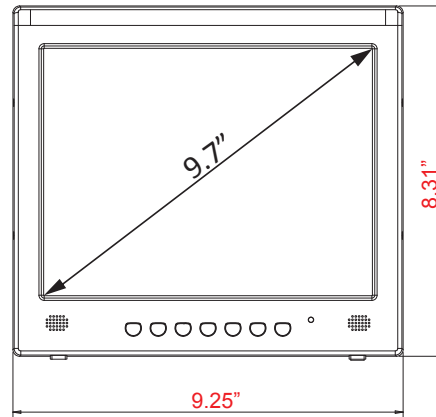


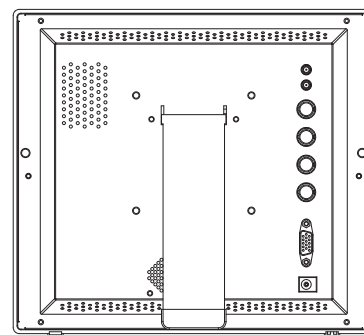


VZ-097RTC ADVANTAGES:

- 9.7" LED CCTV Monitor
- 1024 x 768 Resolution
- BNC, RCA, VGA
- 2D Comb-filter, De-interlace, Built-in Speakers
- 3-Year Warranty



INTERFACE



1. TRIGGER IN
2. PC STEREO IN
3. AV(composite)1 IN/OUT (BNC Type)
4. AV(composite)2 IN/OUT (RCA Type)
5. VGA IN
6. DC 12V IN

MODEL #	VZ-097RTC
DISPLAY	
Screen Size	9.7"
Max. Resolution	1024 x 768 @60Hz
Pixel Pitch	0.192mm x 0.192mm
Brightness	300cd/m ² (Typical)
Contrast Ratio	600:1
Aspect Ratio	4 : 3
Viewing Angle (H/V)	178°/178°
Display Color	0.26 Million
Response Time	<35ms
Video System	NTSC / PAL
Frequency (H)	31~48Khz
Frequency (V)	56~60Hz
INTERFACE	
AV(Composite)1 In/ Out(BNC Type)	1 / 1
AV(Composite)2 In/ Out(RCA Type)	1 / 1
RGB In(15Pin D-Sub)	1
Trigger In	1
PC Stereo In	1
AUDIO	
Built in speaker	1 W x 2
SPECIAL FEATURES	
Filter Type	2D Comb filter / DeInterlace
LCD Protection Glass	Not Available
Video Resolution(Max)	520 TV Line
Multi-lingual Language	English, Spanish, French, German, Italian, Portuguese, Dutch
DIMENSIONS	
Outline Dimension (W x H x D)	9.25" x 8.31" x 1.71" (235mm x 211mm x 43.4mm)
Net Weight	2.73 lbs (1.24 kg)
MOUNT	
VESA	75mm x 75mm, M4x10 Screws
GENERAL	
Transmitter - IR Remote Control	Not Available
Power - Electrical Ratings - Consumption	DC 12V, 0.68A(AC100 ~ 240V[50/60Hz]) 8.2W
Warranty - Parts/ Labor - MTBF (Approx.)	3 Year / 3 Year 30,000 Hours
Operating Temperature	32 - 104°F / 0 - 40°C
Regulations	NRTL(=UL), FCC(A)
Compatible Mounts - WALL - CEILING - Rack	VZ-WM05, VZ-WM10, VZ-WM31 VZ-CMK01, VZ-CMK05 VZ-RMK08

Contact ViewZ

- Address: 1220 N.Kraemer Blvd, Anaheim, CA, 92806
- Phone: (714)630-3380, Fax: (714)630-2335
- Sales: sales@viewzusa.com
- Specifications subject to change without notice.