

# DVR-WA

## DVR Lockbox Wall Mounting Arms

### Product Features:

Designed to mount to 16" on center studs

Works with the DVR-LB1 and DVR-LB2

Load capacity – 50 lbs

Black static resistant powder coat finish

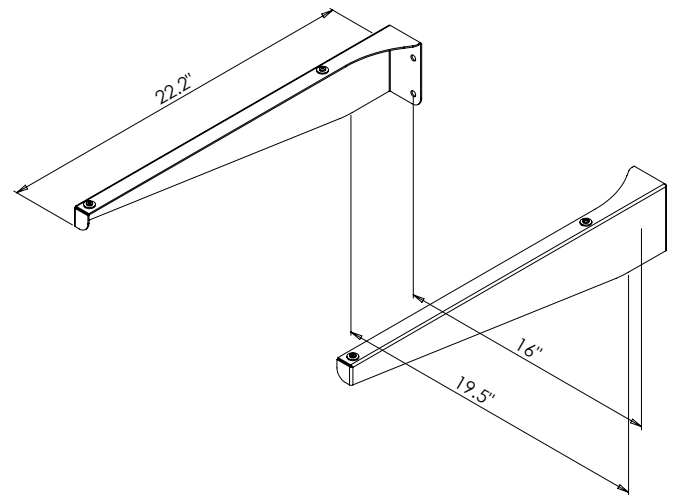
### Product Specifications:

*(for Architects & Engineers)*

The wall mounting arms for the Video Mount Products (VMP) models DVR-LB1 and DVR-LB2 shall be the DVR-WA. The arms shall be designed to attach to 2 studs 16" apart or other suitable support surface. The arms shall mount the DVR-LB1 or DVR-LB2 so there is three inches between the wall and the back of the box to allow for ventilation. The arms shall be primarily constructed of formed steel. The load capacity shall be 50 lbs.



\* DVR-WA shown with DVR-LB2



### Video Mount Products

345 Log Canoe Circle

Stevensville, MD 21666

Toll Free: 877.281.2169

Telephone: 410.643.6390

Facsimile: 410.643.6615

[www.videomount.com](http://www.videomount.com)

