



490 Series Emergency Door Release



491 Emergency Break Glass Station

The SDC 491 Emergency Door Release Break Glass Station provides immediate unlocking of perimeter doors or interior doors that are equipped with fail-safe electric locks. The 491's built in alarm may be used as a local door annunciator.

The SDC 491 is specifically designed for emergency door release and may influence the approval of an electric locking system. This type of Emergency Door Release may be preferred over a pull station since greater commitment is required to break the glass.

Features

- Aluminum rod for striking the glass is included. (Not required to break the glass).
- Blue housing with easy to read activation instructions avoids confusion with red fire alarm stations.
- 2-SPDT 10 Amp Contacts; 1-SPDT for lock release and 1-SPDT auxiliary contact for remote monitoring, CCTV activation or alarm activation.
- The SDC 491 may initiate the release of an individual door or all doors on the same circuit.
- The SDC 491 may be mounted in a 2" deep single gang back box or double gang box with plaster ring cover. The SDC 491 may be surface mounted with a 491-BB surface mount back box.
- Two replacement glass plates included.
- Dimensions: 5.5" H x 3.5" W x 1.375" D

Models

- 491** Break glass emergency door release with siren
3V-28VDC, 18mA
(2 replacement glass pieces included)
- 491-GL4** Four replacement glass plates
- 491-BB** Blue surface mount back box

492 Emergency Pull Station

The SDC 492 Emergency Door Release Pull Station provides immediate unlocking of perimeter doors or interior doors that are equipped with fail-safe electric locks. The 492's built in alarm may be used as a local door annunciator.

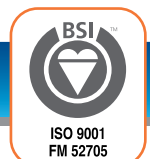
The SDC 492 is specifically designed for emergency door release and may influence the approval of an electric locking system.

Features

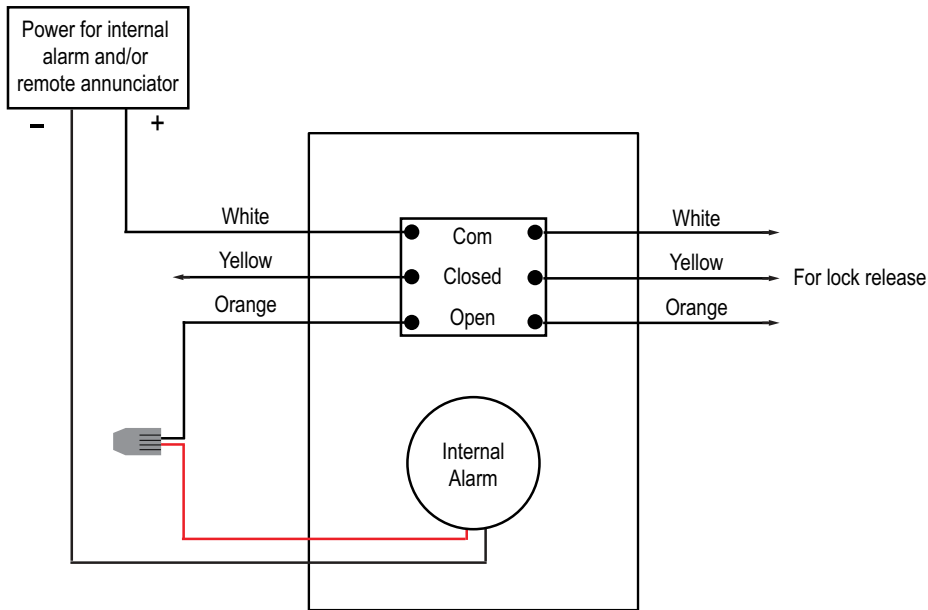
- Blue housing with easy to read activation instructions avoids confusion with red fire alarm stations.
- 2-SPDT 10 Amp Contacts; 1-SPDT for lock release and 1-SPDT auxiliary contact for remote monitoring, CCTV activation or alarm activation.
- The SDC 492 may initiate the release of an individual door or all doors on the same circuit.
- The SDC 492 may be mounted in a 2" deep single gang back box or double gang box with plaster ring cover. The SDC 492 may be surface mounted with a 492-BB surface mount back box.
- Dimensions: 4.75" H x 3.25" W x 1.375" D

Models

- 492** Pull station emergency door release with siren
3V-28VDC, 18mA
- 492-GL4** Four replacement glass rods
- 492-BB** Blue surface mount back box



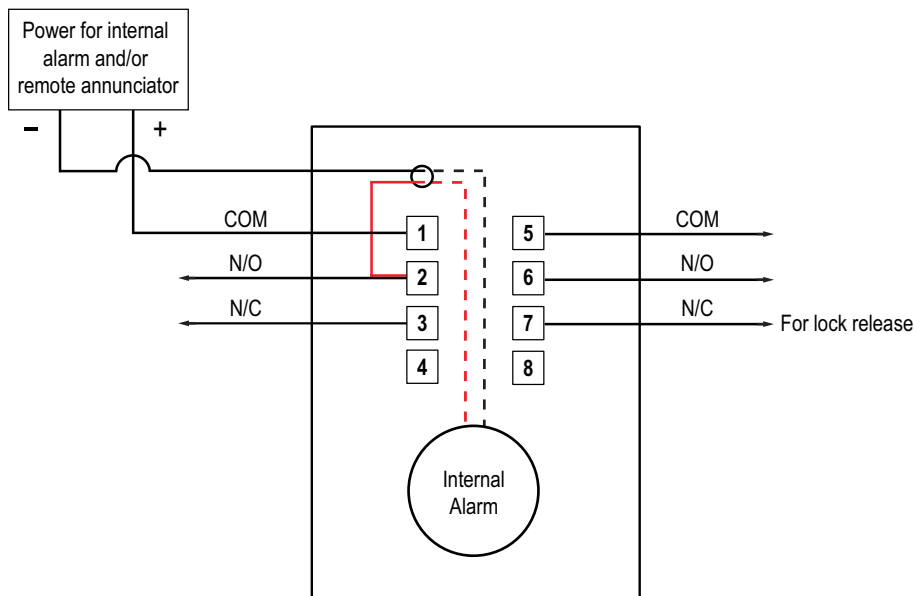
491 Emergency Break Glass Station Wire Diagram



491-BB

Dimensions: 5.25" H x 3.25" W x 1.5" D

492 Emergency Pull Station Wire Diagram



492-BB

Dimensions: 4.750" H x 3.125" W x 1.625" D