

## BNC-to-VGA Converter VC-1BAQ

*Converts most LCD monitors into security monitors. The converter allows displays with a VGA input to display video signals coming from a BNC connector.*

### Features:

- ▶ NTSC or PAL compatible.
- ▶ Video input auto-configure: Automatically selects NTSC or PAL input
- ▶ Gold-plated BNC connector.
- ▶ On-screen display (OSD) functions: color, contrast, tint and brightness.
- ▶ Compact size, perfect for plug and play installation.
- ▶ Desktop or wall mountable.

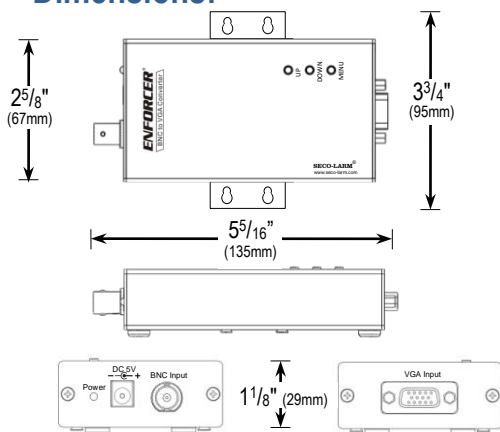
### Specifications:

Input signal	Composite video 1Vp-p 75ohm BNC jack	
Output signal	VGA: 0.7 Vp-p RGB, 15 pin female D-sub	
Current consumption	300mA@5VDC	
Maximum resolution	NTSC	640 x 480
	PAL	768 x 576
Power source	5VDC@500mA (adapter included) 2.5mm jack	
Dimensions	5 <sup>5</sup> / <sub>16</sub> " x 3 <sup>3</sup> / <sub>4</sub> " x 1 <sup>1</sup> / <sub>8</sub> " (135 x 95 x 29mm)	
Weight	8.9 oz. (252g)	



Unique mounting bracket makes installs flexible and discreet

### Dimensions:



### Sample Application:

