

IXS0 Series Sarix™ Network Camera

0.5 MEGAPIXEL STANDARD DEFINITION DIGITAL CAMERAS

Product Features

- Open IP Standards
- Up to SVGA Resolution (800 x 600)
- Up to 30 Images per Second (ips) at All Resolutions
- Auto Back Focus
- H.264, MJPEG, and MPEG-4 Compression Capability
- Color and Day/Night Models
- Video Setup Jack
- Sensitivity Down to 0.03 lux
- Power over Ethernet (IEEE 802.3af) or 24 VAC
- Up to 2 Simultaneous Video Streams
- Web Viewing, up to 16 Cameras Simultaneously
- Local Storage (Mini SD) for Alarm Capture

The **IXS0 Series with Sarix™ technology** is a standard definition network camera designed with industry-leading image quality and high performance processing power. Designed to install quickly, the camera comes equipped with the advanced features needed for demanding security applications.

Sarix technology defines the next generation of video security imaging performance, delivering high resolution, advanced lowlight capabilities, consistent color science, and fast processing power. The H.264 compression video files are up to 20 times smaller making network video storage more affordable.

Camera

The **IXS0 Series** has two standard definition models: color and day/night. Both models feature advanced low light technology capabilities. The day/night model has a mechanical IR cut filter for increased sensitivity in low light installations.

The **IXS0 Series** can support two simultaneous video streams. The two streams can be compressed in MJPEG, MPEG-4, and H.264 formats across several resolution configurations. The streams can be configured to a variety of frame rates, bit rates, and GOP (group of pictures) structures for additional bandwidth administration.

The **IXS0 Series** is simple to install, and the automatic back focus control feature makes sharp scene focus setup easy. A convenient video setup jack eliminates the need to use a laptop for viewing video when installing the camera.

The **IXS0 Series** features built-in Power over Ethernet (PoE) IEEE 802.3af, which supplies power to the camera over the network,



(LENS NOT SUPPLIED WITH CAMERA)

- Motion Detection
- Audio Accessory Available

eliminating the need for a separate power supply. If PoE is not available, 24 VAC can be used to power the camera.

Built-In Analytics

The **Pelco Camera Sabotage** behavior is a standard feature of the IXS0 Series. The behavior detects contrast changes in the field of view. An alarm is triggered if the lens is obstructed with spray paint, a cloth, or covered with a lens cap. Any unauthorized repositioning of the camera also triggers an alarm.

Web Interface

The **IXS0 Series** uses a standard Web browser for powerful remote setup and administration. Up to 16 cameras can be viewed on the same network.

Window Blanking

Window blanking is used to conceal user-defined privacy areas that cannot be viewed by an operator. The **IXS0 Series** supports up to four blanked windows. A blanked area will appear on the screen as a solid gray window.

Systemization

The **IXS0 Series** easily connects to Pelco IP and hybrid systems such as Endura® version 1.5 (or later), MPEG-4; Endura version 2.0 (or later), H.264; Digital Sentry® version 4.2 (or later); DX8100 version 2.0 (or later); and DVR5100 version 1.5.4 (or later). The camera also features open architecture connectivity to third-party software. Pelco offers an application programming interface (API) for interfacing to Pelco's network cameras.



TECHNICAL SPECIFICATIONS

GENERAL

Imaging Device	
16:9 Aspect Ratio	1/3-inch (effective)
4:3 and 5:4 Aspect Ratio	1/4-inch (effective)
Imager Type	CMOS
Imager Readout	Progressive scan
Maximum Resolution	800 x 600
Signal-to-Noise Ratio	50 dB
Auto Iris Lens Type	DC drive
Electronic Shutter Range	1 ~ 1/100,000 sec
Wide Dynamic Range	60 dB
White Balance Range	2,000° to 10,000°K
Sensitivity	f/1.2; 2,850°K; SNR >24 dB
Color (33 ms)	0.50 lux
Color SENS (500 ms)	0.12 lux
Mono (33 ms)	0.25 lux
Mono SENS (500 ms)	0.03 lux
Weight (without lens)	1.11 lb (0.5 kg)
Shipping Weight	2.00 lb (0.9 kg)

ELECTRICAL

Port	RJ-45 connector for 100Base-TX Auto MDI/MDI-X
Cabling Type	Cat5 or better for 100Base-TX
Power Input	22 to 34 VAC; 24 VAC nominal or PoE (IEEE 802.3af class 3)
Power Consumption	<6 W
Current Consumption	
PoE	<200 mA maximum
24 VAC	<295 mA nominal; <390 mA maximum
Local Storage	Mini SD
Alarm Input	10 VDC maximum, 5 mA maximum
Alarm Output	0 to 15 VDC maximum, 75 mA maximum
Service Port	External 3-connector, 2.5 mm provides NTSC/PAL video output

MECHANICAL

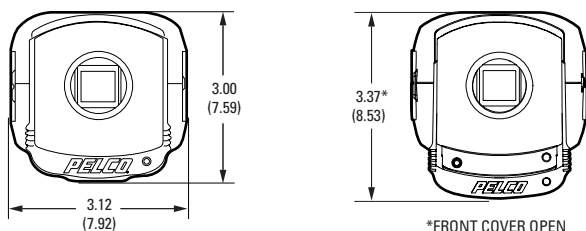
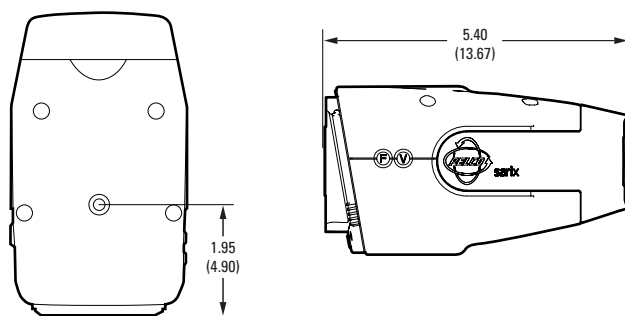
Lens Mount	CS mount, adjustable
Camera Mount	0.25-inch (0.64 cm) UNC-20 screw, top and bottom of camera housing

ENVIRONMENTAL

Operational Temperature	14° to 122°F (-10° to 50°C)
Storage Temperature	14° to 158°F (-10° to 70°C)
Storage Humidity	20% to 90%, noncondensing



FRONT VIEW, CAMERA ONLY
(OPENED TO EXPOSE SERVICE PORT)



*FRONT COVER OPEN

NOTE: VALUES IN PARENTHESES ARE CENTIMETERS; ALL OTHERS ARE INCHES.



REAR VIEW

TECHNICAL SPECIFICATIONS

VIDEO

Video Encoding H.264 base profile, MPEG-4, MJPEG
 Video Streams Up to 2 simultaneous streams; the second stream is variable based on the setup of the primary stream
 Frame Rate Up to 30, 25, 24, 15, 12.5, 12, 10, 8, 7.5, 6, 5, 4, 3, 2.5, 2, 1 (dependent upon coding, resolution, and stream configuration)

Available Resolutions	Resolution				MJPEG		H.264 Base Profile		MPEG-4	
	MPx	Width	Height	Aspect Ratio	Maximum IPS	Recommended Bit Rate	Maximum IPS	Recommended Bit Rate	Maximum IPS	Recommended Bit Rate
	0.5	800	600	4:3	30 ips	5.8 Mbps	25 ips	2.0 Mbps	N/A	N/A
	0.3	640	480	4:3	30 ips	3.7 Mbps	30 ips	1.6 Mbps	30 ips	1.7 Mbps
	0.1	320	240	4:3	30 ips	0.9 Mbps	30 ips	0.4 Mbps	30 ips	0.4 Mbps

Additional Resolutions 640 x 512, 640 x 352, 480 x 368, 480 x 272, 320 x 256, 320 x 176, 4CIF (704 x 480 and 704 x 576), and CIF (352 x 240 and 352 x 288)

Supported Protocols TCP/IP, UDP/IP (Unicast, Multicast IGMP), UPnP, DNS, DHCP, RTP, RTSP, NTP, IPv4, SNMP v2c/v3, QoS, HTTP, HTTPS, LDAP (client), SSH, SSL, SMTP, FTP, mDNS (Bonjour®), and 802.1x (EAP)

Users
 Unicast Up to 20 simultaneous users depending on resolution settings (2 guaranteed streams)
 Multicast Unlimited users H.264 or MPEG-4

Security Access Password protected

Software Interface Web browser view and setup, up to 16 cameras

Pelco System Integration Endura 1.5 (or later), MPEG-4 or Endura 2.0 (or later), H.264 Digital Sentry 4.2 (or later) DX8100 Series 2.0 (or later) DVR5100 Series 1.5.4 (or later)

Open IP Integration Pelco IP camera API

Minimum System Requirements

Processor Intel® Pentium® 4 microprocessor, 1.6 GHz
 Operating System Microsoft® Windows® XP, Windows Vista®, or Mac® OS X 10.4 (or later)
 Memory 512 MB RAM
 Network Interface Card 100 megabits (or greater)
 Monitor Minimum of 1024 x 768 resolution, 16- or 32-bit pixel color resolution
 Web Browser* Internet Explorer® 7.0 (or later) or Mozilla® Firefox® 3.5 (or later); Internet Explorer® 8.0 (or later) is recommended for configuring analytics
 Media Player† Pelco Media Player or QuickTime® 7.6.5 for Windows XP, Windows Vista, or QuickTime 7.6.4 for Mac OS X 10.4

*Internet Explorer is not supported by Mac OS X 10.4.

†This product is not compatible with QuickTime version 7.6.4 for Windows XP or Windows Vista. If you have this version installed on your PC, you will need to upgrade to QuickTime version 7.6.5.

TECHNICAL SPECIFICATIONS

MODELS

IXSOC	Sarix SVGA 0.5 megapixel network color camera
IXSODN	Sarix SVGA 0.5 megapixel network day/night camera

CERTIFICATIONS

- CE, Class B
- FCC, Class B
- UL/cUL Listed
- C-Tick

ACCESSORIES

IX-SC	4-foot Sarix service cable; compatible with standard BNC connectors
IA-A	Audio accessory; supplied with two USB extension cables: 1 ft (0.3 m) and 3 ft (0.9 m)

RECOMMENDED MOUNTS

C10-UM	Universal camera mount
--------	------------------------

RECOMMENDED ENCLOSURES

EH1512	Indoor/outdoor enclosure
EH3512	Outdoor enclosure
DF8	8-inch fixed mount dome

RECOMMENDED LENSES

13VD2.5-6	Varifocal lens, 2.5 ~ 6.0 mm, f/1.4 ~ 2.1
13VD2.8-12	Varifocal lens, 2.8 ~ 12.0 mm, f/1.4 ~ 2.9
13VD5-50	Varifocal lens, 5.0 ~ 50.0 mm, f/1.4 ~ 2.9

Field of View in Degrees		Aspect Ratio		
		16:9	4:3	5:4
2.5 mm	Horizontal	98	83	80
	Vertical	55	63	64
2.8 mm	Horizontal	89	74	71
	Vertical	48	55	56
3.0 mm	Horizontal	82	69	67
	Vertical	46	52	53
5.0 mm	Horizontal	50	42	40
	Vertical	28	32	32
6.0 mm	Horizontal	42	36	34
	Vertical	24	27	28
8.0 mm	Horizontal	32	27	26
	Vertical	18	20	20
12.0 mm	Horizontal	21	18	17
	Vertical	12	13	14
50.0 mm	Horizontal	5	4	4
	Vertical	3	3	3

Pelco, Inc. Worldwide Headquarters:

3500 Pelco Way, Clovis, California 93612-5699 USA

USA & Canada Tel (800) 289-9100 • FAX (800) 289-9150

International Tel +1 (559) 292-1981 • FAX +1 (559) 348-1120

www.pelco.com

Pelco, the Pelco logo, and other trademarks associated with Pelco products referred to in this publication are trademarks of Pelco, Inc. or its affiliates. All other product names and services are the property of their respective companies. Product specifications and availability are subject to change without notice.

©Copyright 2010, Pelco, Inc. All rights reserved.