

CCC1390H Series Day/Night, WDR, CCD Compact Camera

1/3-INCH, HIGH RESOLUTION, 530 TVL B-W/480 TVL COLOR (NTSC/PAL)

Product Features

- Compact Body Style
- Wide Dynamic Range (60 dB Maximum)
- Day/Night with Automatic or Manual Control
- Electronic PTZ
- 1/3-Inch Format Sony® SS-2WD CCD Imager
- Digital Signal Processing
- 530 TV Lines (B-W); 480 TV Lines (Color)
- On-Screen Menu Configuration
- Four Preset Application Profiles; One User-Definable Profile
- Auto White Balance, Automatic Gain Control, Electronic Shutter Control, and Backlight Compensation
- Flickerless Mode
- Autosensing DC-Drive Auto Iris
- Autosensing 24 VAC/12 VDC with Line Lock or Internal Synchronization
- Compatible with Pelco P and Pelco D Protocol



(LENS NOT SUPPLIED WITH CAMERA)

CCC1390H-6/6X

The **CCC1390 Series** camera is a compact, wide dynamic range (WDR), day/night camera. Its WDR technology provides up to 60 dB of dynamic range and produces superior images over a wide range of lighting conditions, including extreme backlight conditions. The camera also uses a removable infrared (IR) cut filter to switch between color and black-white (B-W) modes as environmental lighting conditions change. It also provides a dual resolution of 530 TVL (B-W) and 480 TVL (color).

On-screen programmable menus can be accessed locally using the rear panel button or remotely using any Pelco controller with Pelco P or Pelco D protocol. Use these menus to select a specific profile or to customize and save camera settings for the specific application.

The **CCC1390 Series** camera has a standard CS-mount and can be used with fixed, manual, or DC-drive auto iris lenses. The auto iris is controlled through a standard four-pin square connector that is included with all Pelco auto iris lenses.

The **CCC1390 Series** camera is quick and easy to install and its compact size makes it ideal for Pelco's DomePak® and ImagePak® fixed camera dome/enclosure packages.



CCC1390H-6/6X



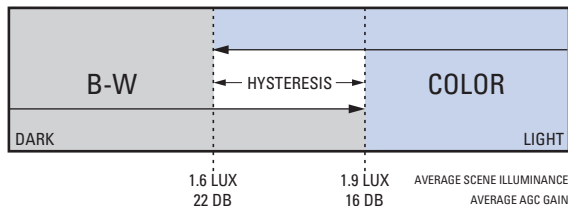
TECHNICAL SPECIFICATIONS

MODELS

CCC1390H-6	1/3-inch high resolution day/night, WDR, CCD camera; 24 VAC or 12 VDC; NTSC format
CCC1390H-6X	1/3-inch high resolution day/night, WDR, CCD camera; 24 VAC or 12 VDC; PAL format

GENERAL

Day/Night Operation	Infrared (IR) cut filter
Day	BK-7 glass, same optical displacement as day
Night	1/3-inch image format Sony SS-2WD CCD
Imaging Device	60 dB maximum (WDR mode)
Dynamic Range	
Picture Elements	
NTSC	768 (H) x 494 (V) (approx. 380K)
PAL	752 (H) x 582 (V) (approx. 440K)
Sensing Area	6 mm diagonal
Scanning System	525 (NTSC)/625 (PAL), 2:1 interlace
Synchronization	AC line lock/internal
Horizontal Resolution	530 TV lines (B-W); 480 TV lines (color)
Electronic Shutter Range	
NTSC	1/60-1/50,000 second
PAL	1/50-1/50,000 second
Auto Iris Lens Type	DC-drive (autosensing)
Minimum Illumination	
B-W (SENS 40x)	0.002 lux, F1.2, 40 IRE, AGC on, 75% scene reflectance
Color (SENS 40x)	0.02 lux, F1.2, 40 IRE, AGC on, 75% scene reflectance
B-W	0.08 lux, F1.2, 40 IRE, AGC on, 75% scene reflectance
Color	0.8 lux, F1.2, 40 IRE, AGC on, 75% scene reflectance
Filter Switching Threshold	
Day to Night	1.6 lux, average scene illumination
Night to Day	1.9 lux, average scene illumination



Digital Slow Shutter (SENS)	Selectable: on/off; 2x, 4x, 6x, 8x, 10x, 20x, 40x
Electronic PTZ	Selectable: 1.5x, 2.0x, 2.5x
Signal-to-Noise Ratio	>50 dB
Vertical Phase	Adjustable $\pm 90^\circ$
Automatic Gain Control	Selectable: on/off
Backlight Compensation	Selectable: on/off; 1/100 sec (NTSC), 1/120 sec (PAL)
Flickerless Mode	
Auto White Balance	Selectable: on/off, 4 modes
Day/Night	Selectable: on/off, 4 modes
Signal Processing	Digital signal processing (DSP)
Video Output	1 Vp-p, 75 ohms
Gamma Correction	Selectable: on/off, 0.45, 0.6, 1.0
White Balance Range	2,500° to 8,600°K

ELECTRICAL

Power Requirements	
CCC1390H-6	24 VAC $\pm 15\%$ /12 VDC $\pm 15\%$, 60 Hz
CCC1390H-6X	24 VAC $\pm 15\%$ /12 VDC $\pm 15\%$, 50 Hz
Power Consumption	3.5 W
Power Connector	3-pin terminal strip, push-in type
Video Connector	BNC
Auto Iris Connector	4-pin connector (miniature square)
Mode Indicators	4 LED
Controls	5-position button
Control Connector	Serial data termination switch
	7-pin micro (1.25 mm) connector
	Data I/O (Pelco P or Pelco D protocol)
	External day/night filter control

MECHANICAL

Lens Mount	CS mount
Camera Mount	1/4-inch UNC-20 screw, top or bottom of camera housing

ENVIRONMENTAL

Operating Temperature	14° to 122°F (-10° to 50°C)
Storage Temperature	-4° to 140°F (-20° to 60°C)
Operating Humidity	20% to 80% (noncondensing)
Storage Humidity	20% to 90% (noncondensing)

PHYSICAL

Dimensions	2.69" D x 2.09" W x 2.19" H (6.83 x 5.31 x 5.56 cm)
Weight (without lens)	0.44 lb (0.20 kg)
Shipping Weight	1 lb (0.45 kg)

CERTIFICATIONS

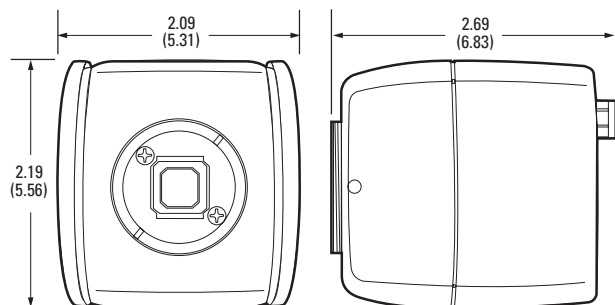
- CE, Class B
- FCC, Class B
- UL/cUL Listed

RECOMMENDED LENSES

13VDIR2.8-11, 13VDIR3-8.5, 13VDIR7.5-50	Varifocal lenses, 1/3-inch format, auto iris, direct drive, infrared
---	--

RECOMMENDED MOUNTS

C10-UM	C10 series universal wall/ceiling/rail mount kit
--------	--



NOTE: VALUES IN PARENTHESES ARE CENTIMETERS; ALL OTHERS ARE INCHES.

Pelco, Inc. Worldwide Headquarters:

3500 Pelco Way, Clovis, California 93612-5699 USA

USA & Canada Tel: (800) 289-9100 • FAX: (800) 289-9150

International Tel: +1 (559) 292-1981 • FAX: +1 (559) 348-1120

www.pelco.com

Pelco, the Pelco logo, and other trademarks associated with Pelco products referred to in this publication are trademarks of Pelco, Inc. or its affiliates. All other product names and services are the property of their respective companies. Product specifications and availability are subject to change without notice.

©Copyright 2008, Pelco, Inc. All rights reserved.