

Overview

- Converts a 24VAC or 24VDC input into a regulated 12VDC output.



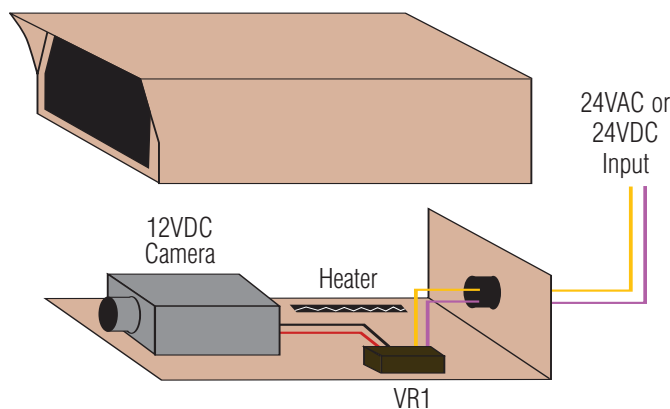
Specifications

- | | |
|--|--|
| <ul style="list-style-type: none"> • 1 amp of continuous supply current output. • Power LED indicator. • Electronically filtered and regulated output. • Built-in overload protection. • Modular connector/cable assembly facilitates ease of wiring. | <ul style="list-style-type: none"> • High impact insulated housing. • Compact design allows for integration in a wide range of camera housings. <p>Dimensions (approximate): 1.625"L x 2.375"W x 1"H</p> |
|--|--|

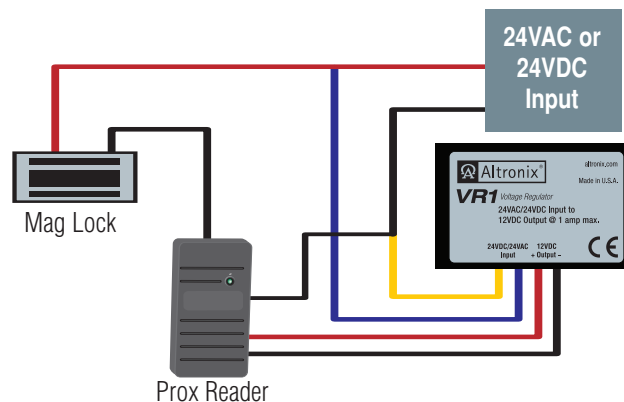
Applications

- Power for 12VDC CCTV cameras and accessories, Fiber Optic Transmitters, REX PIR's, Prox Readers, etc.

CCTV Applications:



Access Control Applications:



Agency Approvals

