

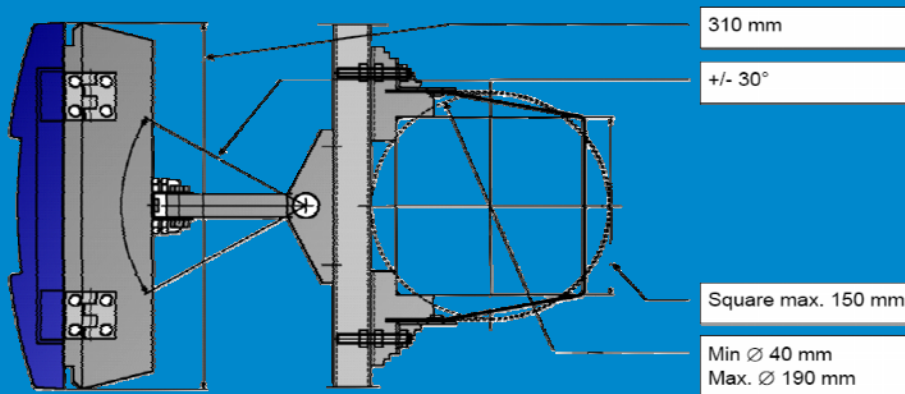
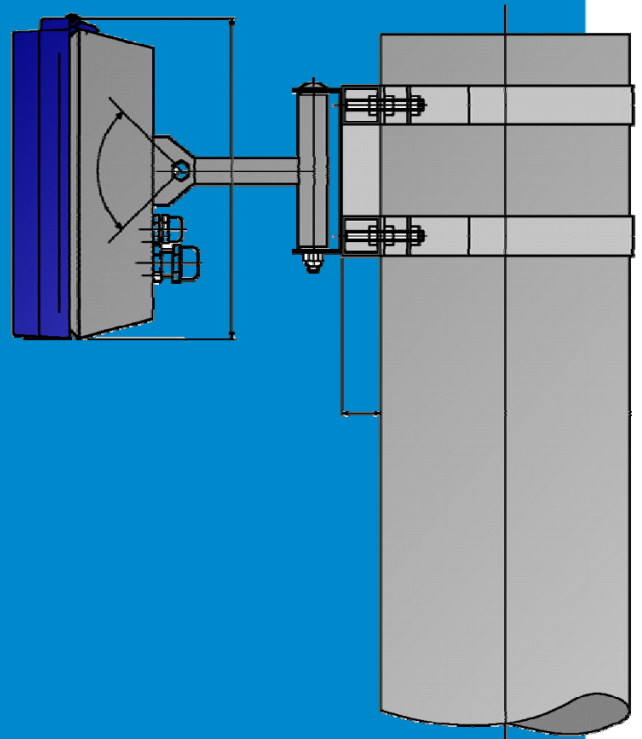
# Pole mounting kit

## TRANSIT Standard pole mounting bracket

### Key Features:

- Easy mounting of the TRANSIT Standard and Extended reader to a pole
- Stainless steel
- Min. Ø 40 mm [1.57 in]
- Max. Ø 190 mm [7.48 in]
- Max. 150 mm [5.9 in] square pole

The Pole Mounting Kit can be mounted onto the wall mounting bracket of the TRANSIT reader. This stainless steel wall mounting bracket is standard included with each TRANSIT reader.



Change without prior notice/ version 2.1\_English

# Specifications

## Pole Mounting Kit

<b>Min. dimensions pole</b>	Ø 40 mm [1.57 in]
<b>Max. dimensions round pole</b>	Ø 190 mm [7.48 in]
<b>Max. dimensions square pole</b>	150 mm [5.9 in]
<b>Material</b>	Stainless steel
<b>Applied for readers</b>	9990410 TRANSIT Standard 9875220 TRANSIT Standard USA 9874690 TRANSIT Extended
<b>Part number</b>	5626595 Pole Mounting kit TRANSIT

### Represented by:

NEDAP N.V. Automatic Vehicle Identification - PO Box 103 - NL-7140 AC Groenlo  
T: +31 (0) 544 471 666 - F: +31 (0) 544 464 255 - E: info-avi@nedap.com

[www.nedapavi.com](http://www.nedapavi.com)